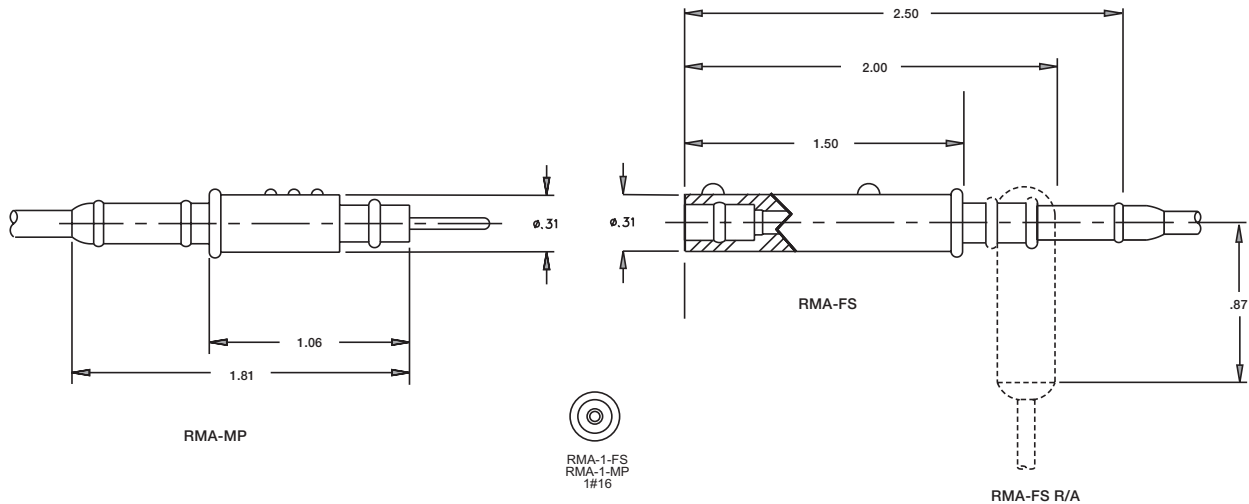


RMA-FS AND ASSOCIATED PARTS

STANDARD RUBBER MOLDED

IN-LINE SERIES

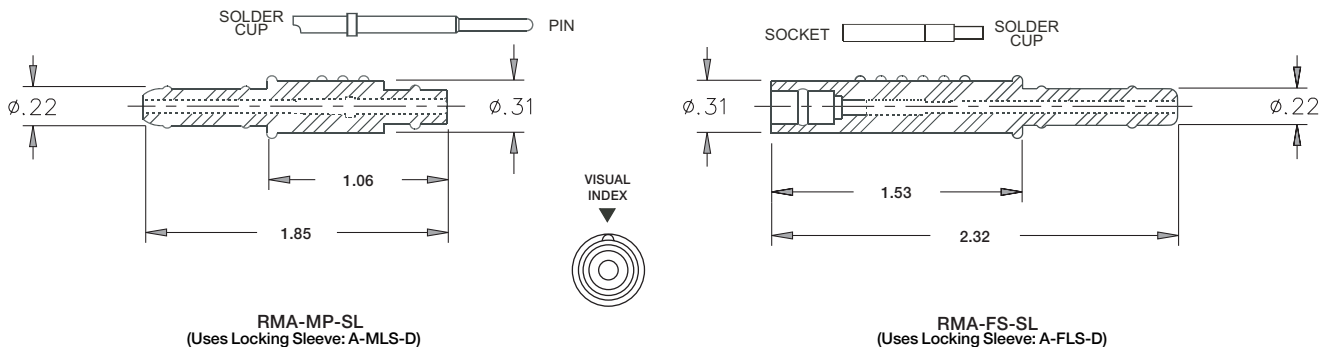
Material: Special Neoprene, molded
 Contacts: Copper Alloy, Hard Gold Plated per ASTM B488
 Cable: 1 N 2
 Voltage Rating: 600 VDC-*contact factory for higher voltage requirements*
 Pressure Rating, Mated: up to 20,000 psi



SLIP-ON SERIES

Notes: Specify exact wire diameter when ordering. Maximum wire DIA=0.09 inch

Material: Special Neoprene, molded
 Contacts: Brass, Hard Gold Plated per ASTM-B-488
 Voltage Rating: 600 VDC-*contact factory for higher voltage requirements*
 Pressure Rating, Mated: up to 20,000 PSI



LOCKING SLEEVES

A-MLS-D (AVAILABLE FOR RMA-MP)
 A-FLS-D (AVAILABLE FOR RMA-FS, RMA-FS-R/A)

DUMMY CONNECTORS

RMA-FSD MATES TO RMA-MP
 RMA-MPD-LP/HP TO RMA-FS & RMA-FS-R/A
 Material: Special Neoprene, molded
 Pressure Rating, Mated:
 RMA-FSD (20,000PSI)
 RMA-MPD-LP ($\leq 4,000$ PSI)
 RMA-MPD-HP (4,000 – 20,000 PSI) Male Contact Required