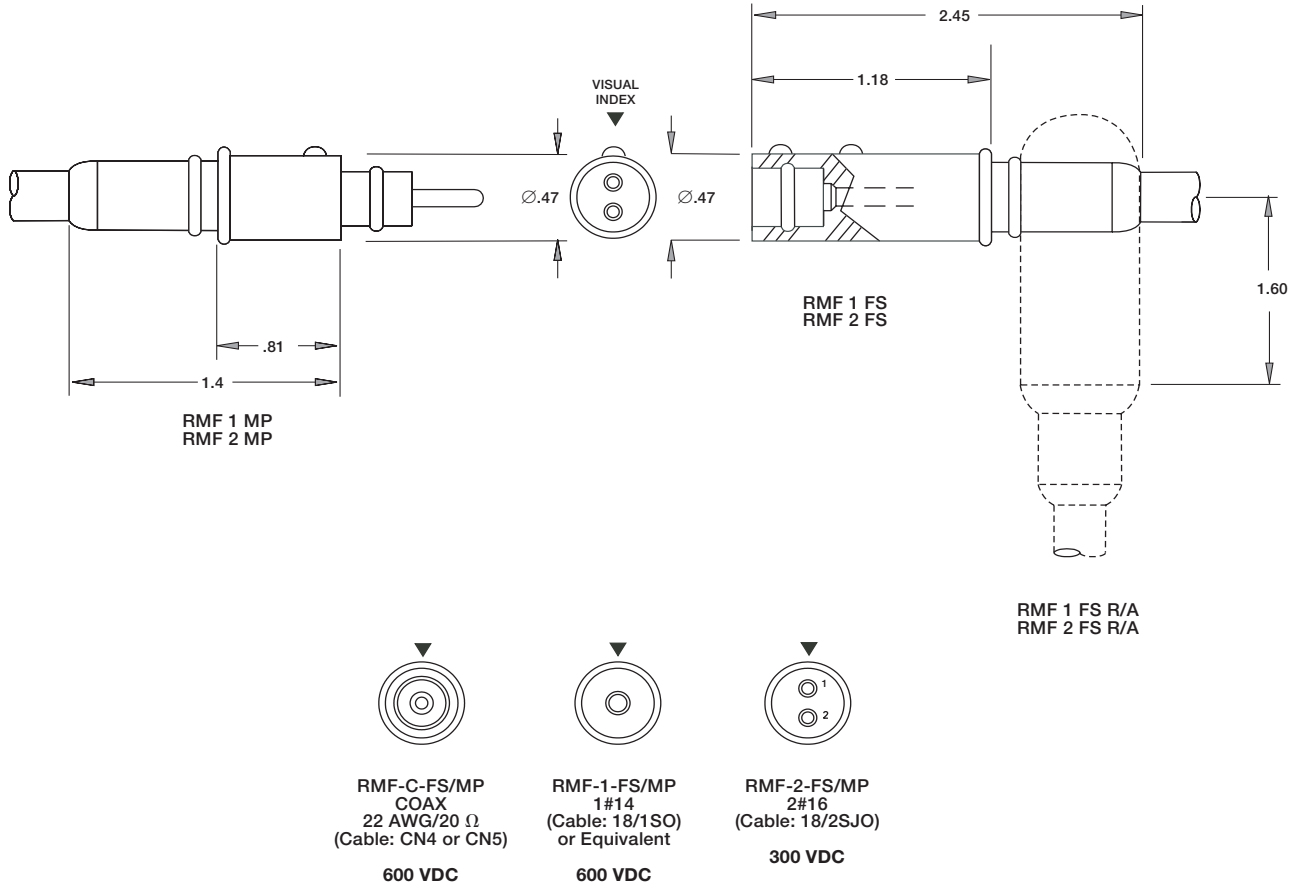


# RMF-FS AND ASSOCIATED PARTS

## STANDARD RUBBER MOLDED

### IN-LINE SERIES

Material: Special Neoprene, Molded  
 Contacts: Copper Alloy, Hard Gold Plated per ASTM-B-488  
 See Specific Configuration for Voltage Rating  
 Pressure Rating, Mated: up to 10,000 psi



### LOCKING SLEEVES

F-MLS-D (AVAILABLE FOR RMF-MP)  
 XSF-FLS-D (AVAILABLE FOR RMF-FS, RMF-FS-R/A)

### DUMMY CONNECTORS

Note: Specify number of conductors when ordering

RMF-FSD MATES TO RMF-MP  
 RMF-MPD-HP MATES TO RMF-FS & RMF-FS -R/A  
 RMF-MPD-LP MATES TO RMF-FS & RMF-FS-R/A

Material: Special Neoprene, Molded  
 Pressure Rating, Mated:  
 RMF-FSD (10,000 PSI)  
 RMF-MPD-HP (HIGH PRESSURE, 4,000 PSI-10,000 PSI, CONTACT REQUIRED)  
 RMF-MPD-LP (LOW PRESSURE, ≤ 4,000 PSI, NO CONTACT REQUIRED)