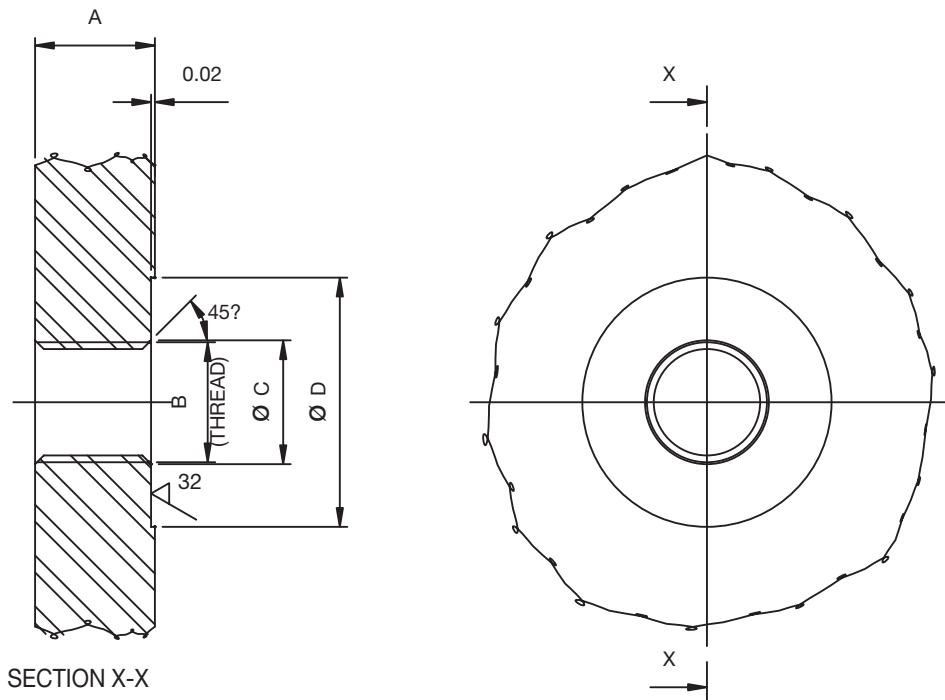
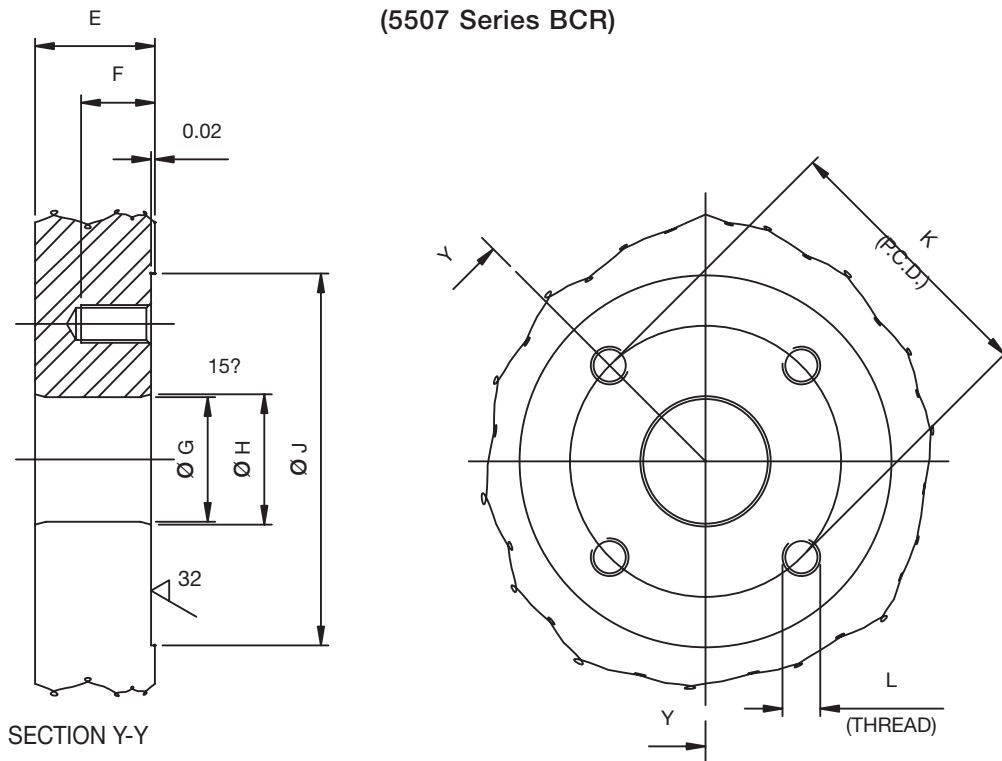


# INTERFACE DETAILS



**Bulkhead Connector Interface**  
(5507 Series BCR)



**Panel Mount Connector Interface**  
(5506 Series FCR)

SHELL SIZE	A	B	$\varnothing C$	$\varnothing D$	E	F	$\varnothing G$	$\varnothing H$	$\varnothing J$	K	L
15	0.5	5/8-18 UNF	0.68	1.30	0.45	0.315	0.65	0.68	1.94	1.414	M5x0.8 6H
20	0.5	3/4 -16 UNF	0.79	1.44	0.50	0.375	0.77	0.79	2.28	1.768	M6x1 6H
24	0.5	1-14 UNS	1.05	1.73	0.50	0.375	1.02	1.04	2.63	2.121	M6x1 6H
32	0.5	1 1/2 -12 UNF	1.55	2.31	0.625	0.50	1.52	1.54	3.50	2.828	M8x1.25 6H