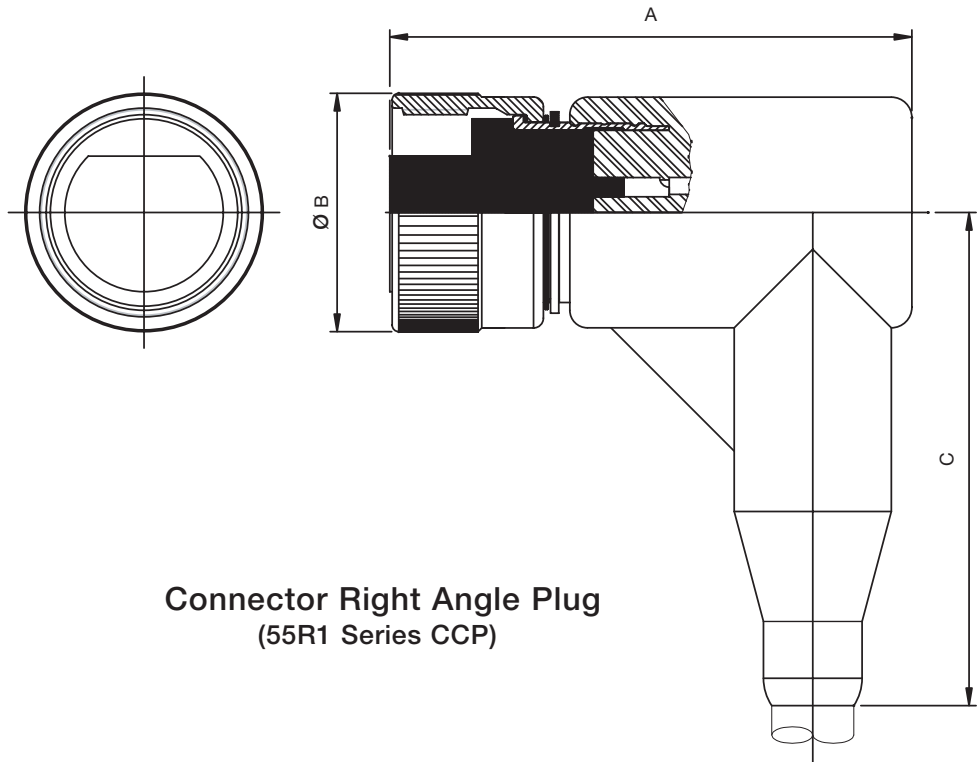
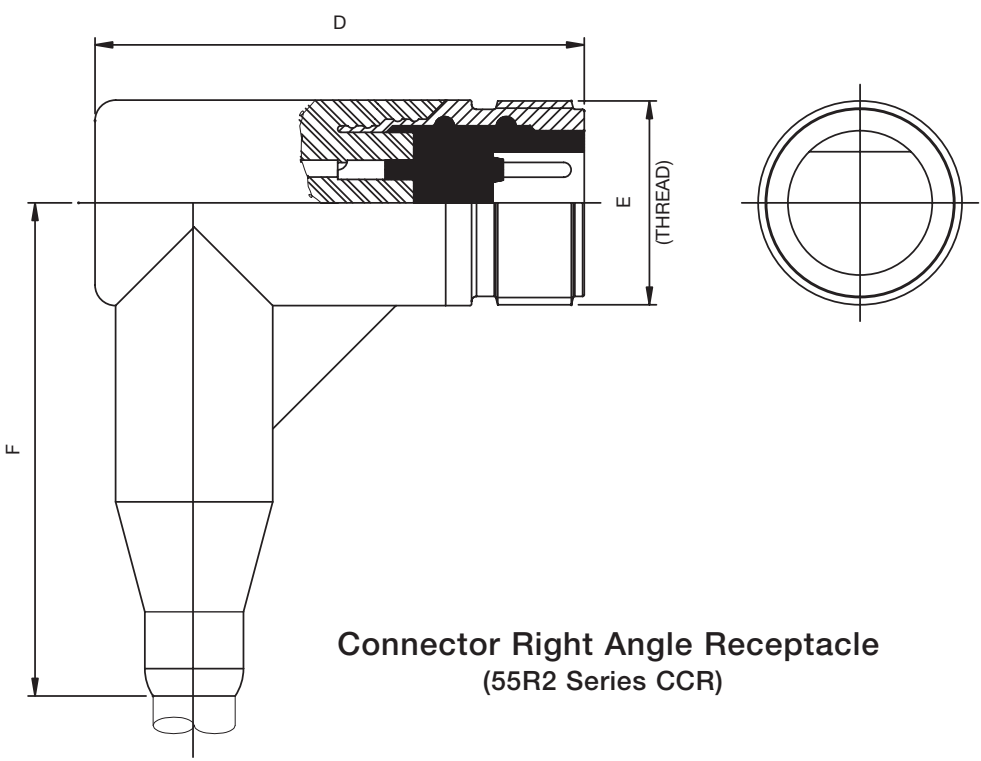


RIGHT ANGLE CONNECTOR DETAILS



Connector Right Angle Plug
(55R1 Series CCP)



Connector Right Angle Receptacle
(55R2 Series CCR)

SHELL SIZE	A	Ø B	C	D	E	F
15	2.91	1.08	2.63	2.52	15/16-20 UNEF	2.63
20	3.16	1.45	3.42	3.48	1 1/4 -9 STUB ACME	3.42
24	3.42	1.70	3.84	3.52	1 1/2 -9 STUB ACME	3.84
32	3.63	2.23	4.85	3.54	2-9 STUB ACME	4.85