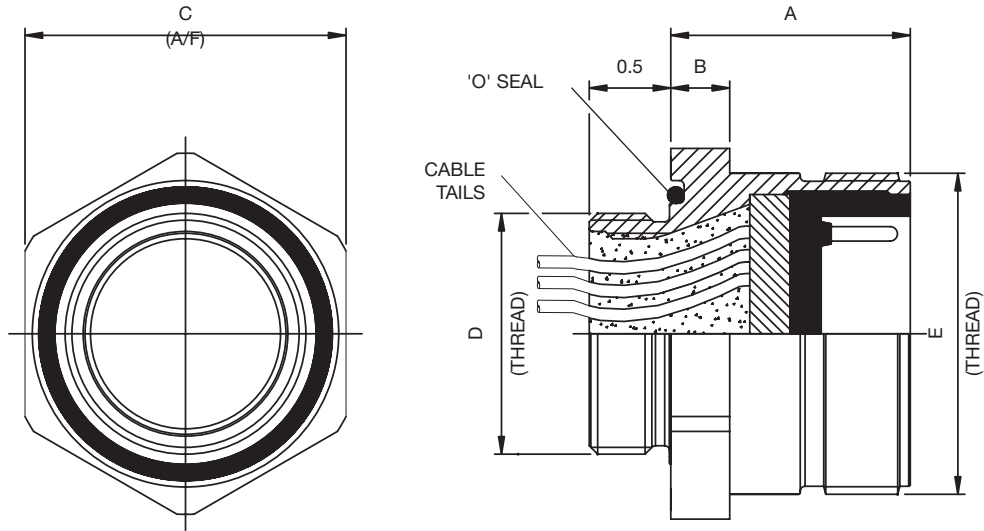
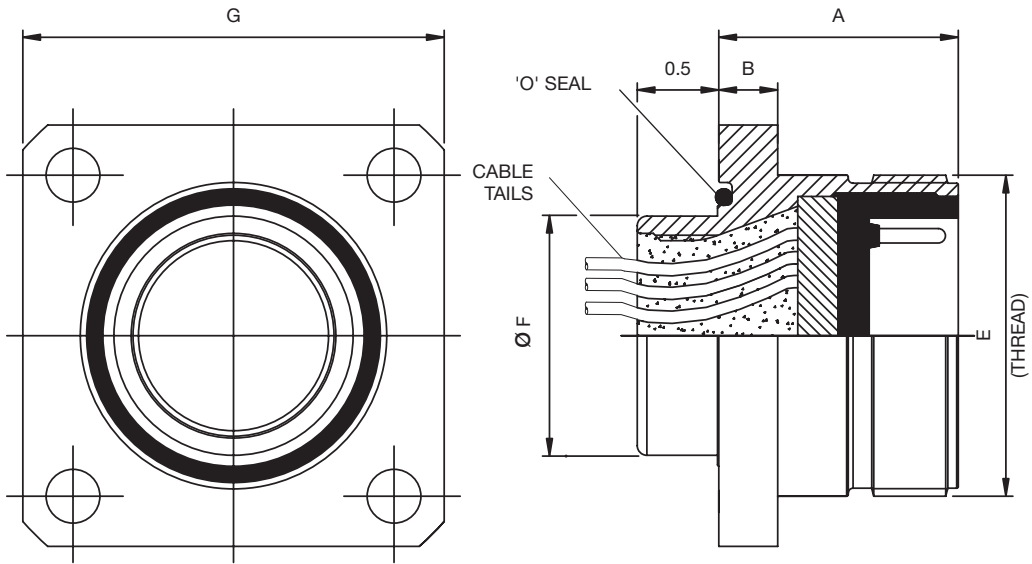


# BULKHEAD CONNECTOR DETAILS



**Bulkhead Connector Receptacle**  
(5507 Series BCR)



**Panel Mount Connector Receptacle**  
(5506 Series FCR)

SHELL SIZE	A	B	C	D	E	Ø F	G
15	1.25	0.313	1.12	5/8-18 UNF	15/16-20 UNEF	0.625	1.50
20	1.5	0.375	1.25	3/4 -16 UNF	1 1/4 -9 STUB ACME	0.74	1.75
24	1.5	0.375	1.50	1-14 UNS	1 1/2 -9 STUB ACME	0.99	2
32	1.5	0.375	2	1 1/2 -12 UNF	2-9 STUB ACME	1.50	2.625